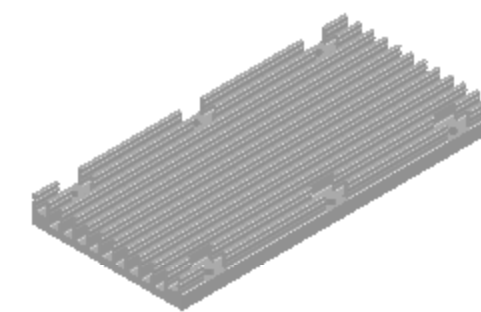
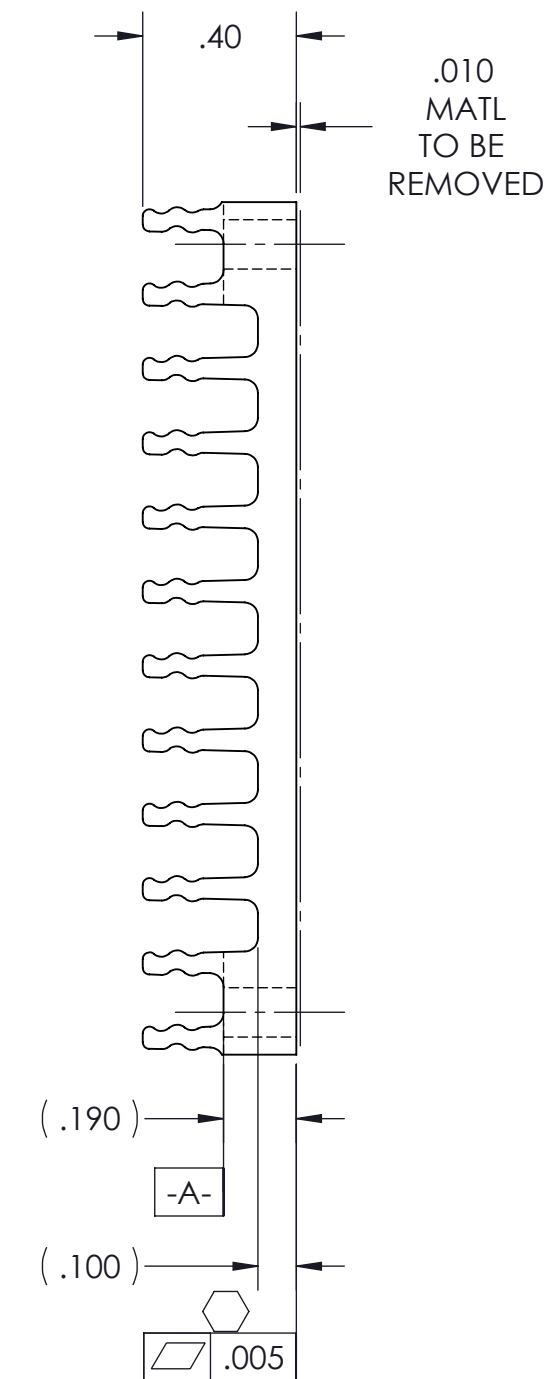
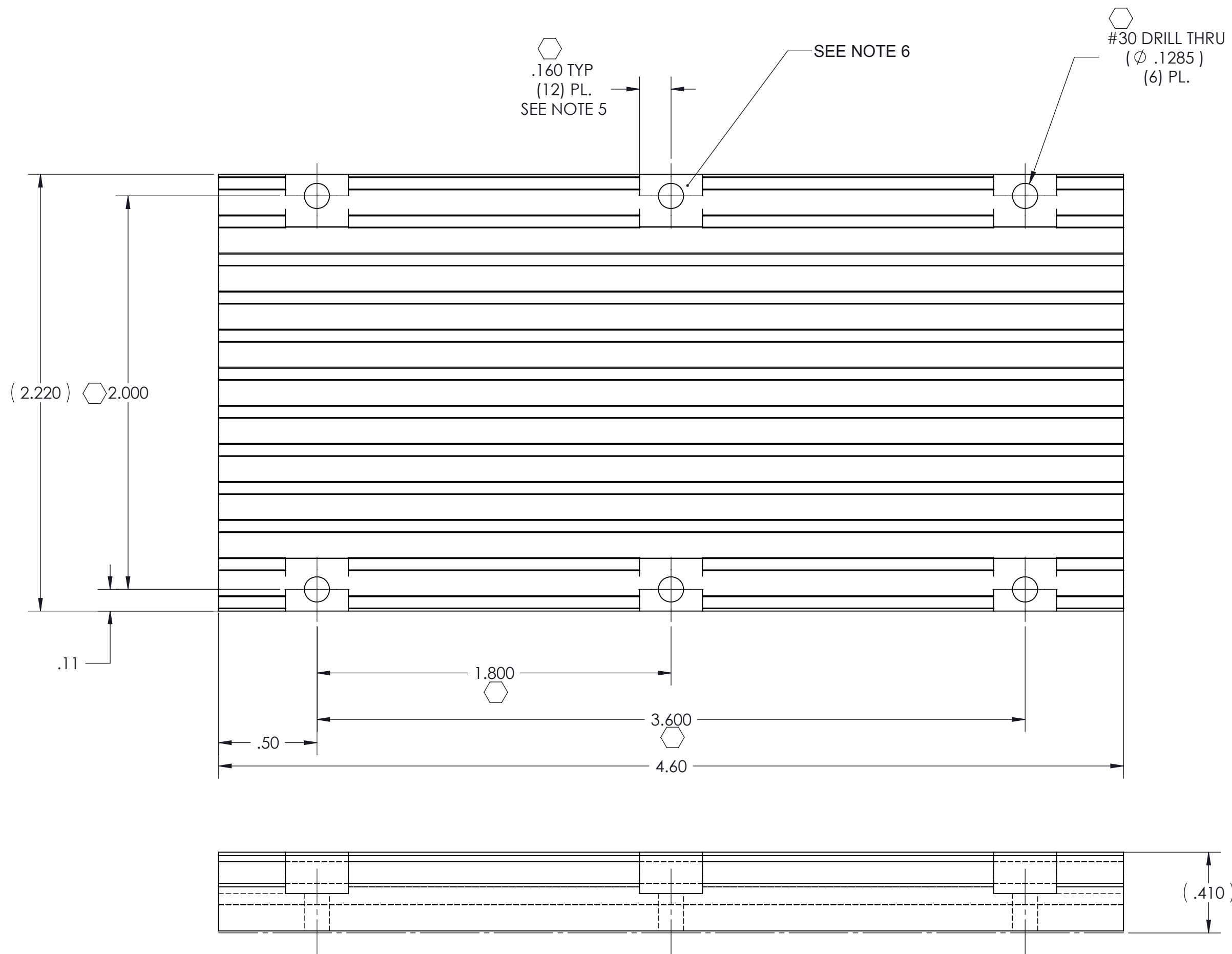



THIS DOCUMENT AND THE DATA DISCLOSED HEREIN OR HEREWITH IS NOT TO BE REPRODUCED, USED OR DISCLOSED IN WHOLE OR IN PART TO ANYONE WITHOUT THE PERMISSION OF VICOR CORP.

REV	DESCRIPTION	DATE	APPROVED
1	RELEASED PER ECO REQUEST E070416 REJH	03/05/07	EF
1	REVISED PER ECO REQUEST E091085 AR	07/14/09	REJH
1	REDRAWN PER E100871 DCS	6/11/10	KUK



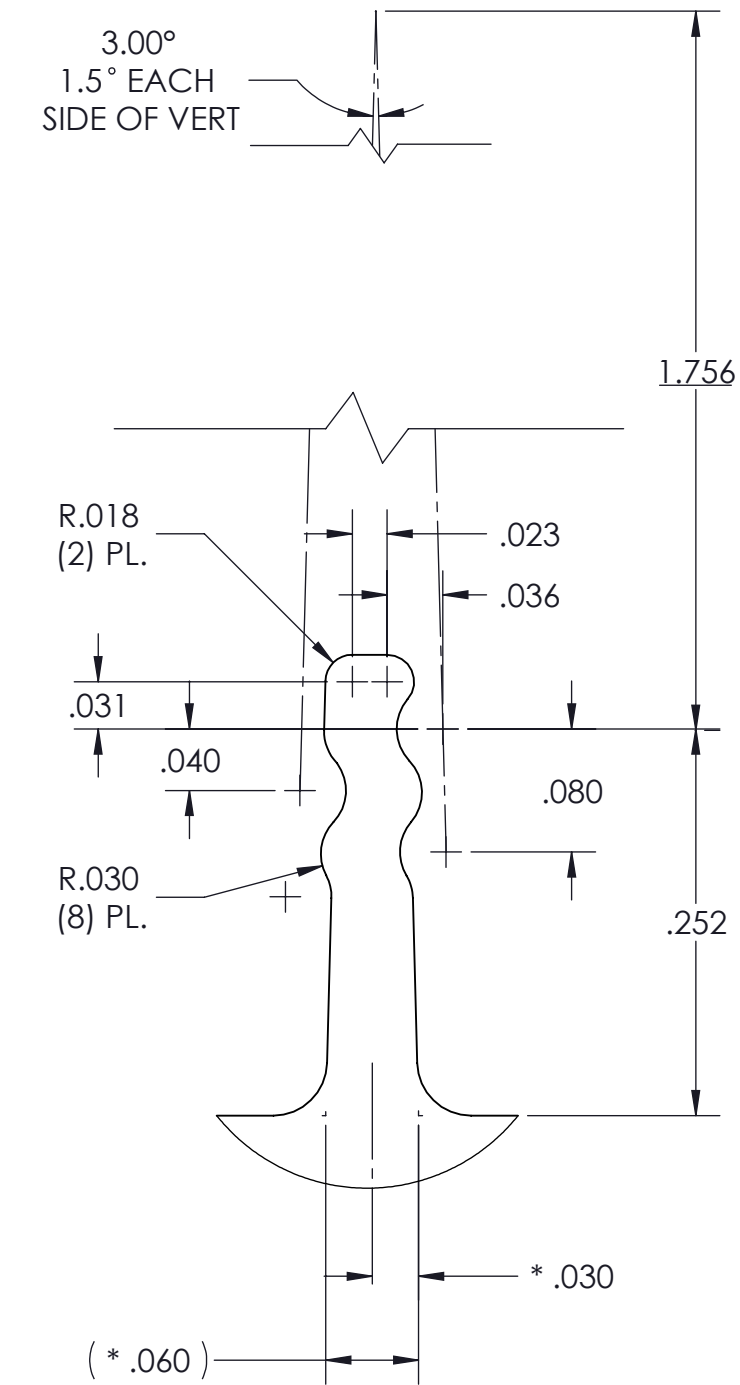
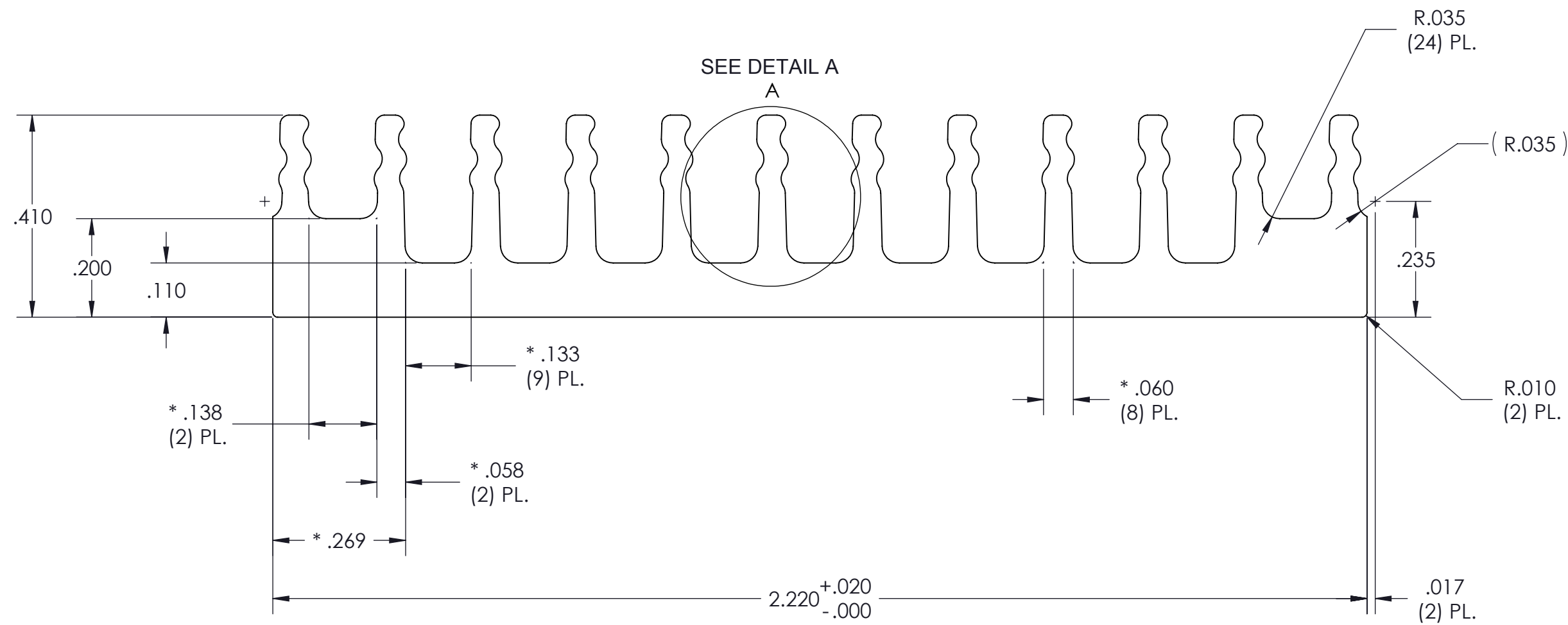
NOTES:

1. MATERIAL: EXTRUSION SEE SHEET 2 OF 2.
2. REMOVE ALL BURRS AND SHARP EDGES
3. CLEAR FINISH, RoHS COMPLIANT, CHROMIUM FREE PER CST-0001 LATEST REVISION.
4. " $\square$ " DENOTES CRITICAL CHARACTERISTIC FOR LOT INSPECTION.
5. DIMENSIONS APPLIES AT SURFACE -A- (12) PL.
6. MACHINED SURFACE TO BE .010 MAX BELOW SURFACE -A- (6) PL.
7. DIMENSIONS ARE INCHES ONLY.

DRAWN D.P. KELLY		DATE 10/05		<b>VICOR</b> SWD	
MATERIAL SEE NOTES		UNLESS OTHERWISE SPECIFIED DIMENSIONS ARE INCH [MM] TOLERANCES ARE: DECIMALS ANGLES X.XX [X.X] = ±0.01 [0.25] ±1° X.XXX [X.XX] = ±0.005 [0.127]		<b>HS CFG 'A' LONG .4H LOW FLOW, THRU HOLE</b>	
FINISH SEE NOTES		THIRD ANGLE PROJECTION 		SIZE <b>C</b>	CAGE CODE <b>67131</b>
		DWG NO <b>30718</b>		REV <b>3</b>	
		SCALE 2 : 1		SHEET 1 OF 2	

THIS DOCUMENT AND THE DATA DISCLOSED HEREIN OR HEREWITH IS NOT TO BE REPRODUCED, USED OR DISCLOSED IN WHOLE OR IN PART TO ANYONE WITHOUT THE PERMISSION OF VICOR CORP.

REV	DESCRIPTION	DATE	APPROVED
	SEE SHEET 1 OF 2		



DETAIL A  
SCALE 8 : 1

- NOTES:
1. MATL: ALUMINUM 6063-T5
  2. \* DENOTES DIMENSION TO THEORETICAL SHARP CORNER.
  3. ALL DIMENSIONS ARE CRITICAL CHARACTERISTICS
  4. RoHS COMPLIANT PER CST-0001 LATEST REVISION.
  5. DIMENSIONS ARE INCHES ONLY

PROFILE COMMON FOR
30195
30718
32188
30482

DRAWN A. RAGIPANI		DATE 07/14/09		SWD	
MATERIAL SEE NOTES		UNLESS OTHERWISE SPECIFIED DIMENSIONS ARE INCH [MM] TOLERANCES ARE: DECIMALS ANGLES X.XX [X.X] = ±0.01 [0.25] ±1° X.XXX [X.XX] = ±0.005 [0.127]		<b>HTSNK 'A' LONG .4H, LOW FLOW, THREADED, EXTRUSION</b>	
FINISH SEE NOTES		THIRD ANGLE PROJECTION 	SIZE <b>C</b>	CAGE CODE <b>67131</b>	DWG NO <b>30718</b>
		DO NOT SCALE DRAWING	SCALE 4 : 1	REV <b>3</b> SHEET 2 OF 2	