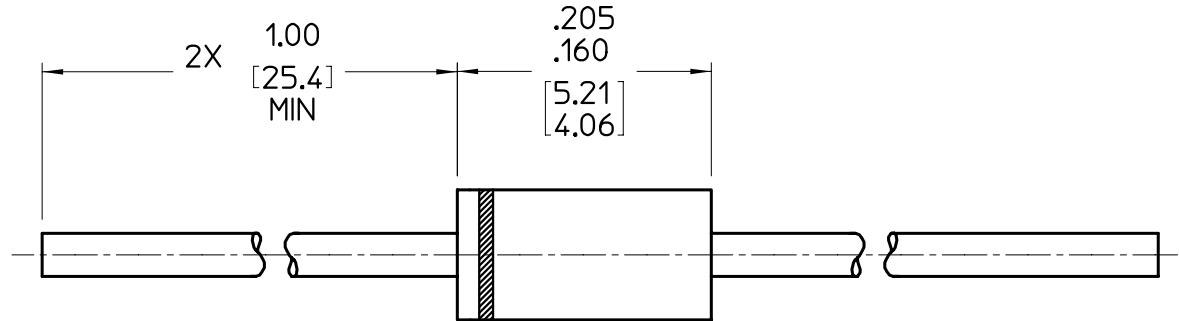
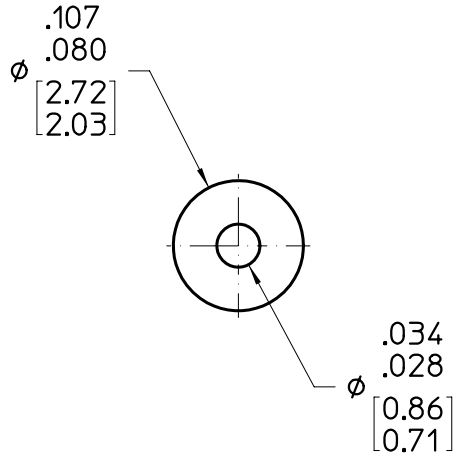


VICOR CONFIDENTIAL

THIS DOCUMENT AND THE DATA DISCLOSED
HEREIN OR HEREWITH IS NOT TO BE REPRODUCED,
USED, OR DISCLOSED IN WHOLE OR IN PART
TO ANYONE WITHOUT PERMISSION OF VICOR CORP.

REV.	DESCRIPTION	DATE	APPROVED
01	REDRN- E000367	9/8/00	RCM DPK



ELECTRICAL CHARACTERISTICS @T_A =25°C (UNLESS OTHERWISE SPECIFIED)

PARAMETER	SYMBOL	MIN	TYP	MAX	UNITS	CONDITION
PEAK REPETITIVE REVERSE VOLTAGE	V _{RR}			800	V	
RMS VOLTAGE	V _{RMS}			560	V	
DC REVERSE VOLTAGE	V _{DC}			800	V	
FORWARD VOLTAGE	V _F			1.1	V	@ 1A
AVERAGE RECTIFIER CURRENT	I _o			1.0	A	0.375" LEAD LENGTH @ T _A =75°C
PEAK FORWARD SURGE CURRENT	I _{F(SURGE)}			30	A	8.3ms SINGLE HALF-SINE-WAVE
REVERSE CURRENT	I _R			10	uA	@ RATED VOLTAGE
JUNCTION CAPACITANCE	C _J		15		pF	V _R = 4.0V, f = 1.0MHz
THERMAL RESISTANCE, JUNCTION TO AMBIENT	R _{θJA}			50	°C/W	
OPERATING JUNCTION & STORAGE TEMPERATURE	T _J , T _{STG}	-65 TO +150			°C	

NOTES:

- POLARITY IS INDICATED BY CATHODE BAND.
- MAXIMUM LEAD TEMPERATURE FOR SOLDERING PURPOSES IS 250°C (482°F), 3/8 INCH FROM CASE FOR 10 SECONDS AT 5.0 LBS. TENSION.
- CASE IS TRANSFER MOLDED PLASTIC.

DRAWN BY <i>RCM</i>	DATE 9/8/00			
UNLESS OTHERWISE SPECIFIED DIMENSIONS ARE IN(MM)- TOLERANCES ARE:		RECTIFIER, GENERAL PURPOSE, 1A, 800V DO-41		
DECIMALS .XX = ±.01(0.25)	ANGLES .XXX = ±.005(0.127)	THIRD ANGLE PROJECTION 	SIZE B	FSCM NO. 67131
			DWG NO 00670	REV 01
DO NOT SCALE DRAWING		SCALE 10X	SHEET 1 OF 1	