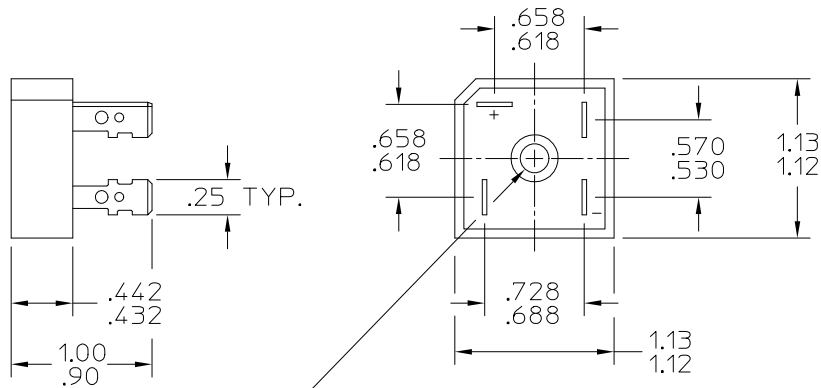


VICOR CONFIDENTIAL

THIS DOCUMENT AND THE DATA DISCLOSED HEREIN OR HEREWITH IS NOT TO BE REPRODUCED, USED, OR DISCLOSED IN WHOLE OR IN PART TO ANYONE WITHOUT PERMISSION OF VICOR CORP.

REV.	DESCRIPTION	DATE	APPROVED
1	RELEASED PER E064266	02/02/06	PEI ECF


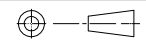


THRU HOLE HAS CLEARANCE FOR #8 (.193 DIA.) SCREW

MAX RATINGS AND ELECTRICAL CHARACTERISTICS			
MAXIMUM RECURRENT PEAK REVERSE VOLTAGE	V_{RRM}	600	VOLTS
MAXIMUM RMS VOLTAGE	V_{RMS}	420	VOLTS
MAXIMUM DC BLOCKING VOLTAGE	V_{DC}	600	VOLTS
MAXIMUM AVERAGE FORWARD RECTIFIED OUTPUT CURRENT @ $T_J = 55^\circ C$	$I_{(AV)}$	35.0	AMPS
PEAK FORWARD SURGE CURRENT SINGLE HALF SINE-WAVE SUPERIMPOSED ON RATED LOAD (JEDEC METHOD)	I_{FSM}	400	AMPS
RATING (NON-REPETITIVE, FOR t GREATER THAN 1 MS & LESS THAN 8.3 MS)	I_T	660	A^2s
MAXIMUM INSTANTANEOUS FORWARD VOLTAGE DROP PER ELEMENT AT SPECIFIED CURRENT	V_F	1.2	VOLTS
ISOLATION VOLTAGE FROM CASE TO LEADS		2500	V_{AC}
MAXIMUM REVERSE DC CURRENT @ RATED DC BLOCKING VOLTAGE PER ELEMENT	I_R	10.0	μA
TYPICAL THERMAL RESISTANCE	$R_{\theta JC}$	2.0	$^\circ C/W$
OPERATING & STORAGE TEMPERATURE RANGE	T_J, T_{STG}	-55 TO +150	$^\circ C$

NOTES:

1. RoHS COMPLIANT, LEAD FREE PER CST-0001 LATEST REVISION.

DRAWN BY KNIGHT	DATE 09/02/05	 BRIDGE RECTIFIER 600V, 35A		
<small>UNLESS OTHERWISE SPECIFIED DIMENSIONS ARE IN INCHES - TOLERANCES ARE: FRACTIONS DECIMALS ANGLES $\pm 1/64$ $.XX = \pm .01$ $\pm 1^\circ$ $.XXX = \pm .005$</small>				
THIRD ANGLE PROJECTION 	SIZE B	FSCM NO. 67131	DWG NO. 30660	REV 1
DO NOT SCALE DRAWING	SCALE FULL	SHEET 1 OF 1		