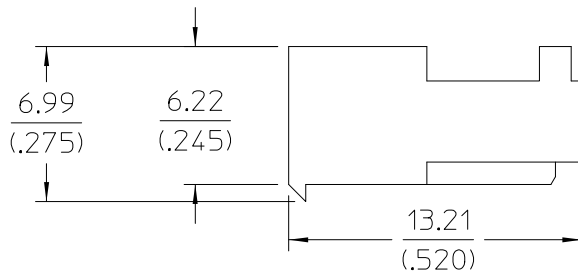
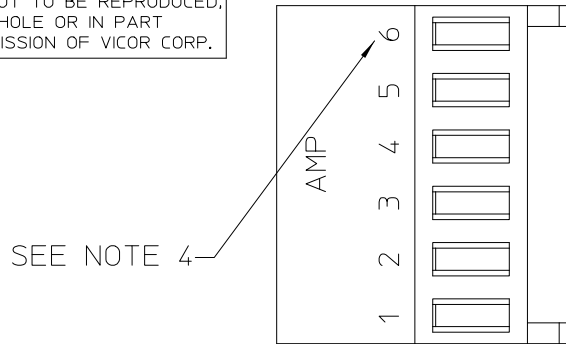
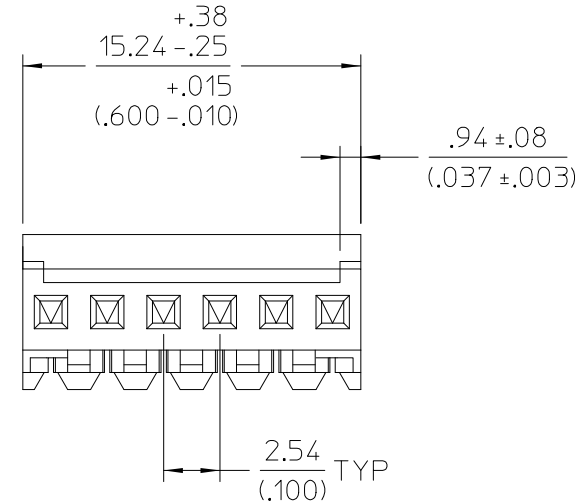


**VICOR CONFIDENTIAL**

THIS DOCUMENT AND THE DATA DISCLOSED HEREIN OR HEREWITH IS NOT TO BE REPRODUCED, USED, OR DISCLOSED IN WHOLE OR IN PART TO ANYONE WITHOUT PERMISSION OF VICOR CORP.



REV.	DESCRIPTION	DATE	APPROVED	
#1	DRAWN FOR DEVELOPMENT	REJH	08/01/06	BH
#2	CORRECTED DIM SCALE FACTOR	REJH	10/26/06	GK
#3	REMOVED NON-FUNCTIONAL DIMS	REJH	10/26/06	GK



**NOTES:**

1. MATERIAL: CONNECTOR-NYLON UL94-0 (BLACK).  
CONTACTS: 0.30 (.012) THK COPPER ALLOY, TIN PLATED
2. CONTACTS ACCEPT 22 AWG WIRE WITH 1.52 (.060) MAX INSULATATION DIAMETER.
3. CONTACTS MUST ACCEPT 0.64±0.03 (.025±.001) SQUARE POST AND REMAIN LOCKED IN POSITION.
4. IDENTIFICATION NUMBER FOR LAST CIRCUIT MAY NOT APPEAR ON ALL ASSEMBLIES.
5. HOUSING FEATURES ARE: CLOSED END WITH LOCKING RAMP AND WITH POLARIZING TAB.
6. RoHS COMPLIANT, LEAD FREE AND CHROMIUM FREE PER CST-0001 LATEST REVISION.
7. DIMENSIONS ARE IN MM  
(INCH)

DRAWN BY <i>R.E.J.Hickey</i>		DATE 08/01/06			
<small>UNLESS OTHERWISE SPECIFIED DIMENSIONS ARE IN INCHES - TOLERANCES ARE:</small> <small>FRACTIONS DECIMALS ANGLES</small> <small>*1/64 .XX=+.01 ±1°</small> <small>.XXX=+.005</small>					
THIRD ANGLE PROJECTION 		SIZE <b>B</b>	FSCM NO. <b>67131</b>	DWG NO <b>33062</b>	REV <b># 3</b>
DO NOT SCALE DRAWING		SCALE		SHEET 1 OF 1	