

8

7

6

5

4

3

2

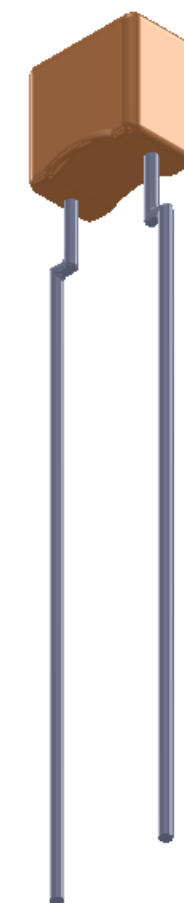
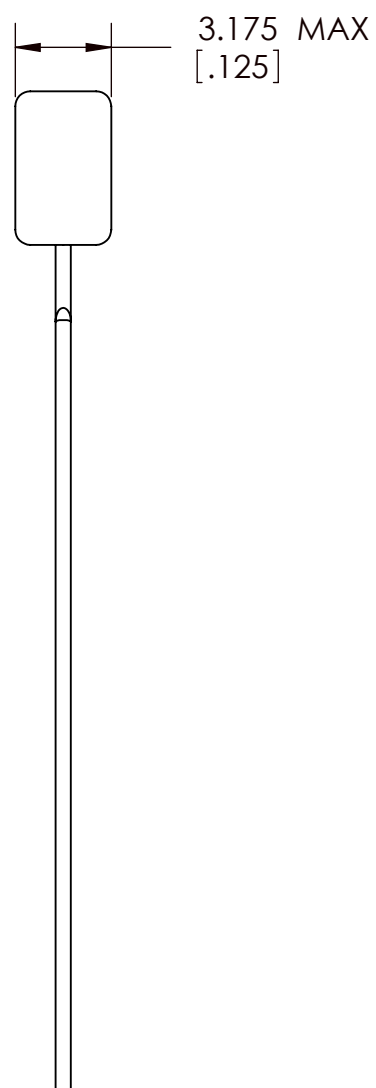
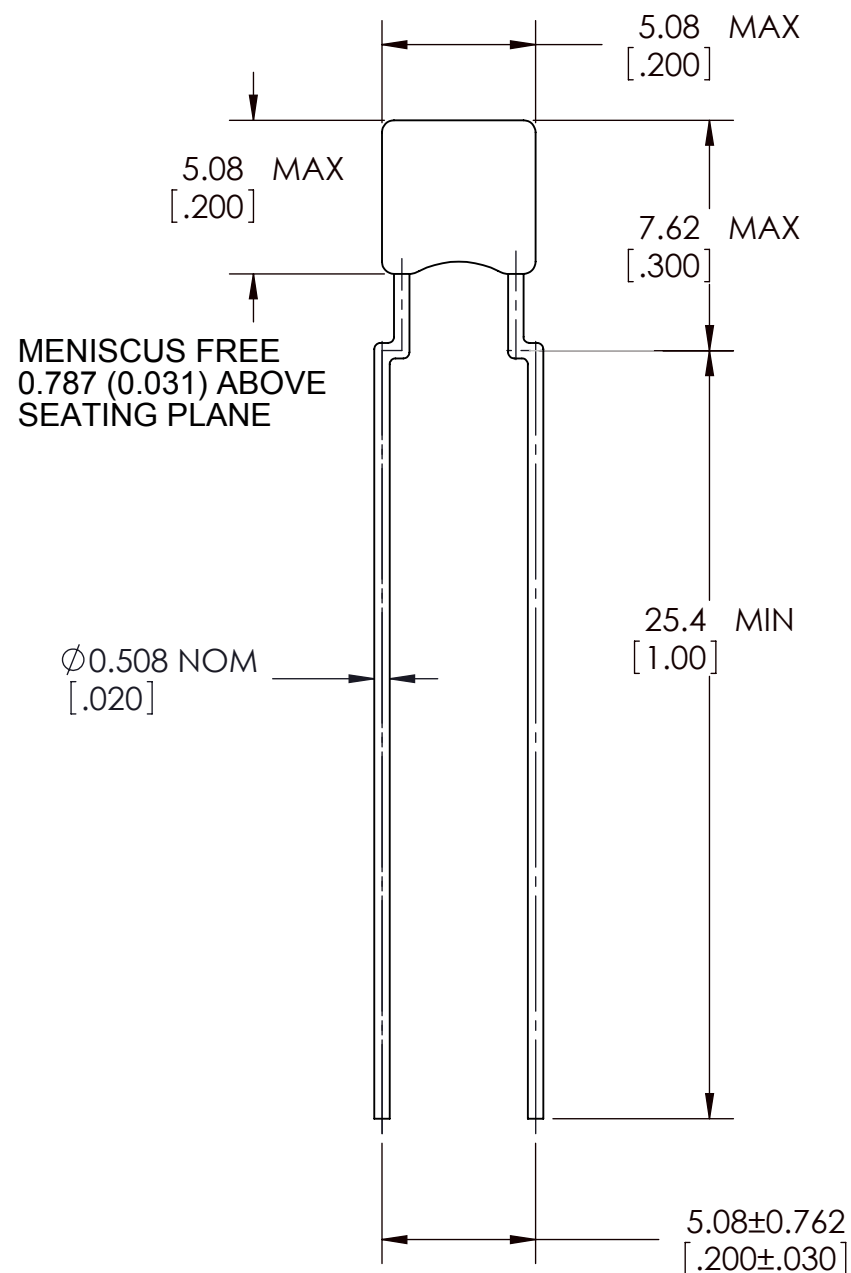
1

VICOR CONFIDENTIAL

THIS DOCUMENT AND THE DATA DISCLOSED HEREIN OR HEREWITH IS NOT TO BE REPRODUCED, USED OR DISCLOSED IN WHOLE OR IN PART TO ANYONE WITHOUT THE PERMISSION OF VICOR CORP.

REVISIONS

REV	DESCRIPTION	DATE	APPROVED
1	RELEASE PER E064332	08/04/06	REJH SH
2	REVISED PER E100698A	5/19/10	KUK JG



NOTES:  
1. RoHS COMPLIANT, LEAD FREE PER CST-0001 LATEST REVISION.

ELECTRICAL SPECIFICATIONS	
WORKING VOLTAGE	500 V
CAPACITANCE	470 pF
CAPACITANCE TOLERANCE	±10%
TEMP. COEFFICIENT	X7R

DRAWN	DATE			SWD	
P.E.IENI	09/22/05				
MATERIAL	UNLESS OTHERWISE SPECIFIED DIMENSIONS ARE MM [INCH] TOLERANCES ARE: DECIMALS      ANGLES X.XX [X.X] = ±0.01 [0.25]      ±1° X.XXX [X.XX] = ±0.005 [0.127]		<b>CAP X7R 470pF 10% 500V</b> <b>0.2 RADIAL</b>		
FINISH	THIRD ANGLE PROJECTION	SIZE			CAGE CODE
		<b>B</b>	<b>67131</b>	<b>30458</b>	<b>2</b>
DO NOT SCALE DRAWING		SCALE 4 : 1		SHEET 1 OF 1	

8

7

6

5

4

3

2

1