

8

7

6

5

4

3

2

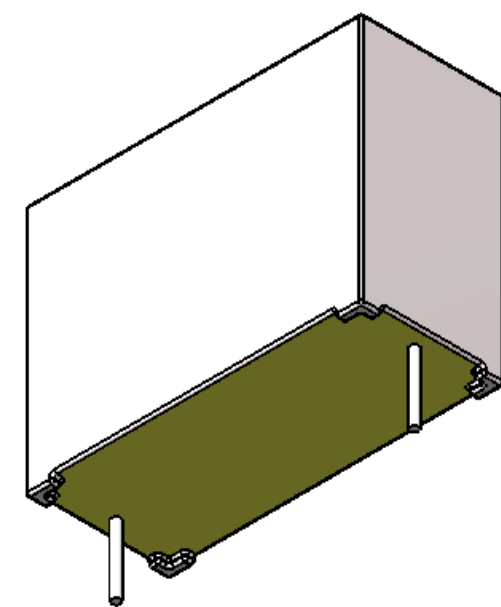
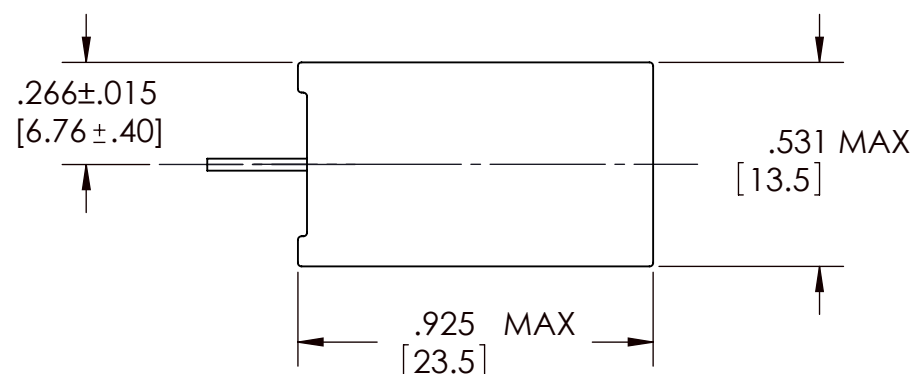
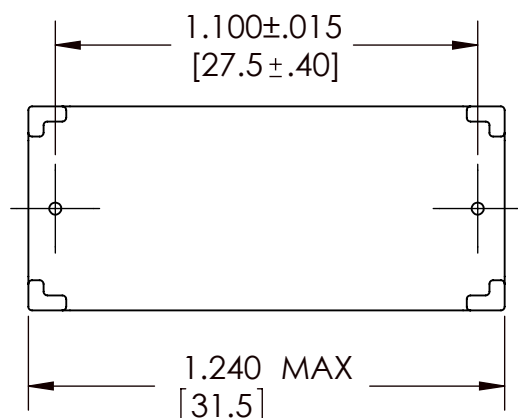
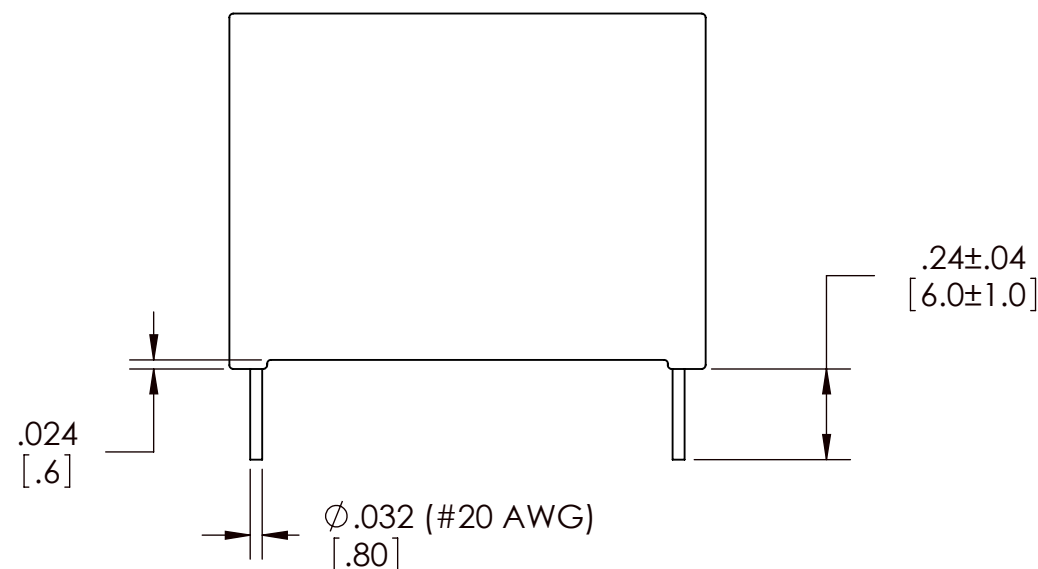
1

VICOR CONFIDENTIAL

THIS DOCUMENT AND THE DATA DISCLOSED HEREIN OR HEREWITH IS NOT TO BE REPRODUCED, USED OR DISCLOSED IN WHOLE OR IN PART TO ANYONE WITHOUT THE PERMISSION OF VICOR CORP.

REVISIONS

REV	DESCRIPTION	DATE	APPROVED
01	RELEASED PER E950600 DPK	8/14/95	RCM
02	REVISED PER E970093 DPK	2/28/97	RCM
3	REVISED PER ECO Request E080622 REJH	03/28/08	EF
4	REVISED PER E100698A KUK	05/19/10	JG



- NOTES
1. UL RECOGNIZED (APPROVED).
 2. FOR FURTHER DETAILED INFORMATION REFER TO DOCUMENT CONTROL, CONCEPTION FOLDER
 3. RoHS COMPLIANT, LEAD FREE PER CST-0001 LATEST REVISION.

DRAWN	DATE
D.P. KELLY	8/95

VICOR

SWD

MATERIAL	UNLESS OTHERWISE SPECIFIED DIMENSIONS ARE INCH [MM] TOLERANCES ARE: DECIMALS ANGLES X.XX [X.X] = ±0.01 [0.25] ±1° X.XXX [X.XX] = ±0.005 [0.127]
FINISH	
THIRD ANGLE PROJECTION	
DO NOT SCALE DRAWING	

CAP
0.68uF/ ± 20/ 250V

SIZE	CAGE CODE	DWG NO	REV
B	67131	11217	4

SCALE 2 : 1 SHEET 1 OF 1

8

7

6

5

4

3

2

1