

8

7

6

5

4

3

2

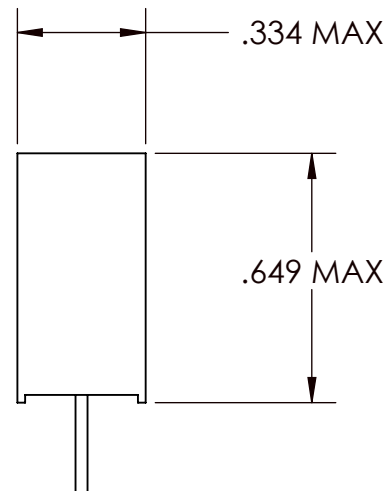
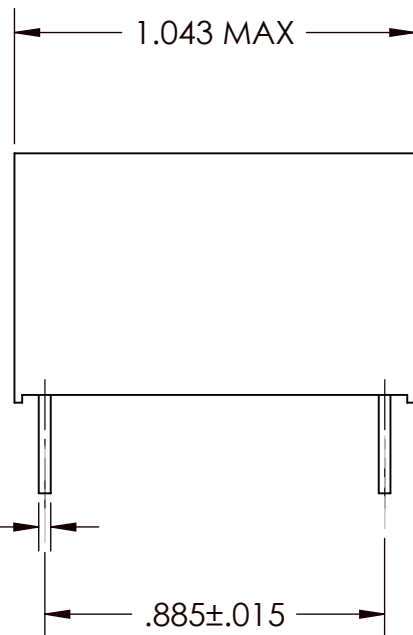
1

VICOR CONFIDENTIAL

THIS DOCUMENT AND THE DATA DISCLOSED HEREIN OR HEREWITH IS NOT TO BE REPRODUCED, USED OR DISCLOSED IN WHOLE OR IN PART TO ANYONE WITHOUT THE PERMISSION OF VICOR CORP.

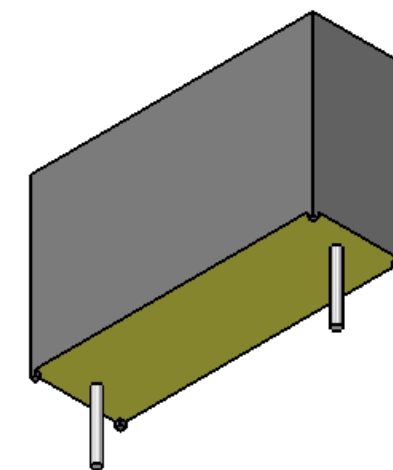
REVISIONS

REV	DESCRIPTION	DATE	APPROVED
2	RELEASE PER E080622	3/28/07	EF
3	REVISED PER E100698A	5/19/10	JG



NOTES:

- 1: CAPACITORS - DIELECTRIC, POLYESTER-FILM.
- 2: INTERNATIONAL SAFETY AGENCY APPROVALS AND MARKINGS SHALL INCLUDE MARKINGS FROM: VDE, SEV, DEMKO, SEMKO, NEMKO, SETI, UL, IMQ, OVE.
- 3: RoHS COMPLIANT, LEAD FREE PER CST-0001 LATEST REVISION.
- 4: DIMENSIONS ARE INCHES ONLY.



ELECTRICAL CHARACTERISTICS

RATED VOLTAGE	250 VAC, 50/60HZ.
CAPACITANCE	.22uF, ±20%.
CLASS	X2.
DISSIPATION FACTOR	1% MEASURED AT 1 kHz.
MAX. PULSE RATE TIME	Du/Dt ACC.TO VDE 565 1 100 V /uSEC.

DRAWN	DATE	VICOR			
J. CLEMENZI	10/89	SWD			
MATERIAL UNLESS OTHERWISE SPECIFIED DIMENSIONS ARE INCH [MM] TOLERANCES ARE: DECIMALS ANGLES X.XX [X.X] = ±0.01 [0.25] ±1° X.XXX [X.XX] = ±0.005 [0.127]		<b>AC- CAPACITOR</b> <b>0.22uF, 250VAC (X2)</b>			
FINISH THIRD ANGLE PROJECTION DO NOT SCALE DRAWING					SIZE <b>B</b>
		SCALE 2 : 1		SHEET 1 OF 1	

8

7

6

5

4

3

2

1