

8

7

6

5

4

3

2

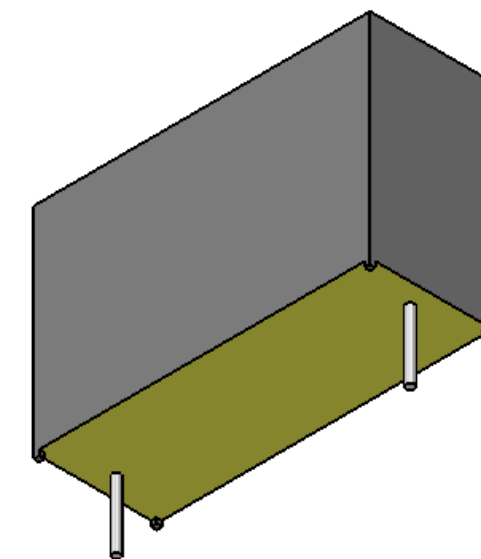
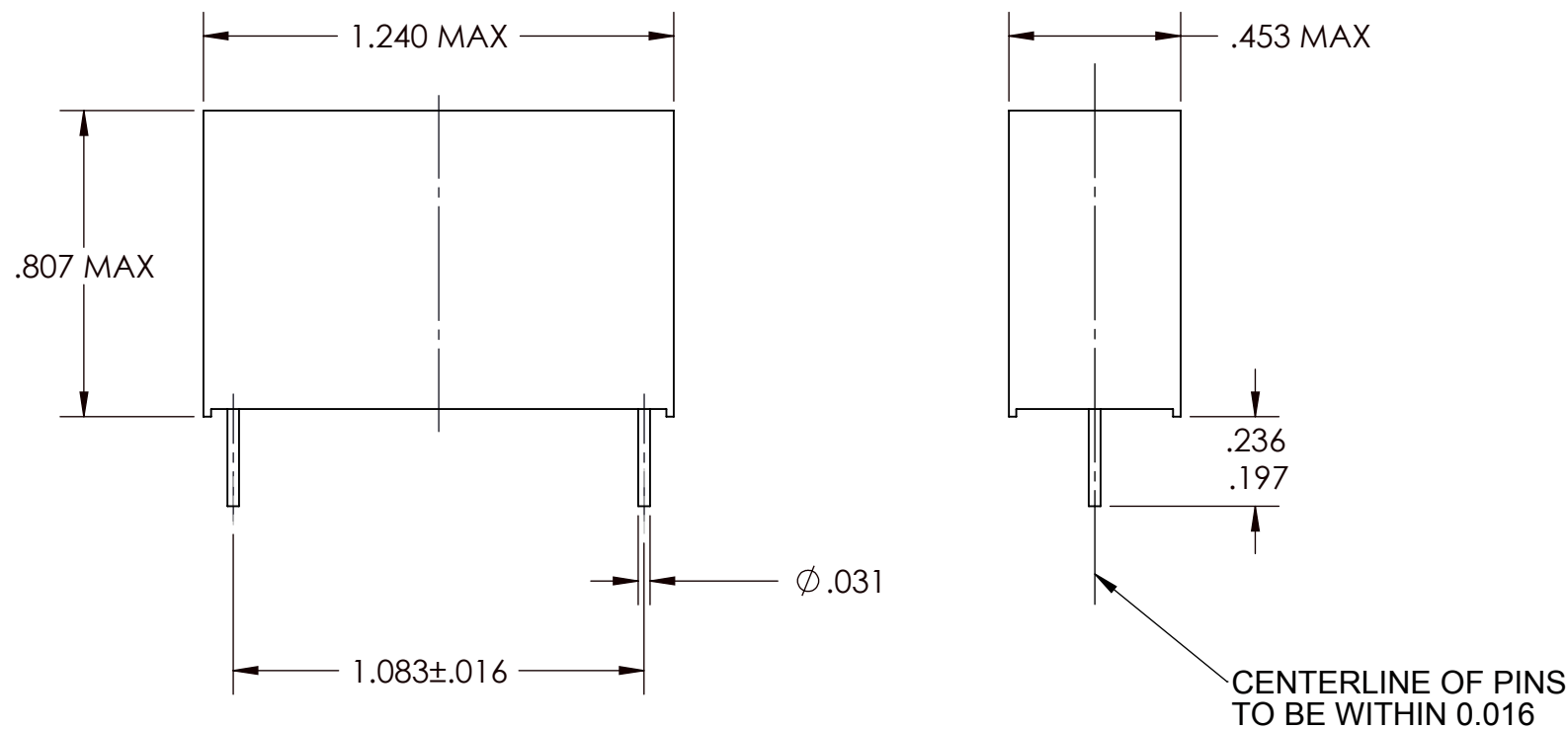
1

VICOR CONFIDENTIAL

THIS DOCUMENT AND THE DATA DISCLOSED HEREIN OR HEREWITH IS NOT TO BE REPRODUCED, USED OR DISCLOSED IN WHOLE OR IN PART TO ANYONE WITHOUT THE PERMISSION OF VICOR CORP.

REVISIONS

REV	DESCRIPTION	DATE	APPROVED
01	DRAWN & RELEASED PER E940399 RCM		
02	RELEASED PER E064362 REJH	06/21/06	CR
3	REVISED PER E100698A KUK	5/19/10	JG



NOTES:

1. COATING: PLASTIC CAN: EPOXY RESIN SEALED, FLAME RETARDANT COATING
2. LEADS: RADIAL; TINNED COPPER WIRE
3. RATED VOLTAGE: 250VAC, 50/60 HZ
4. APPROVALS: VDE, UL RECOGNIZED, CSA, ENEC
5. RoHS COMPLIANT, LEAD FREE PER CST-0001 LATEST REVISION
6. DIMENSIONS ARE INCHES ONLY.

DRAWN	DATE				
RCM	6/22/94				
MATERIAL	UNLESS OTHERWISE SPECIFIED DIMENSIONS ARE INCH [MM] TOLERANCES ARE: DECIMALS      ANGLES X.XX [X.X] = ±0.01 [0.25]      ±1° X.XXX [X.XX] = ±0.005 [0.127]				
FINISH	THIRD ANGLE PROJECTION	SIZE	CAGE CODE	DWG NO	REV
		<b>B</b>	<b>67131</b>	<b>03047</b>	<b>3</b>
		SCALE 2 : 1	SHEET 1 OF 1		

8

7

6

5

4

3

2

1