

8

7

6

5

4

3

2

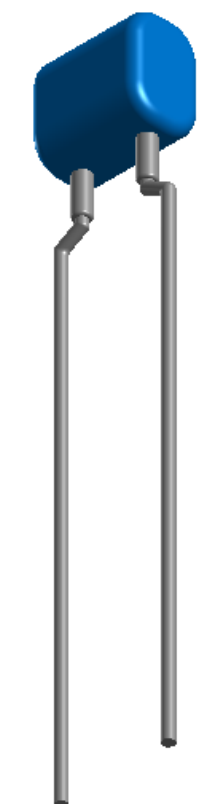
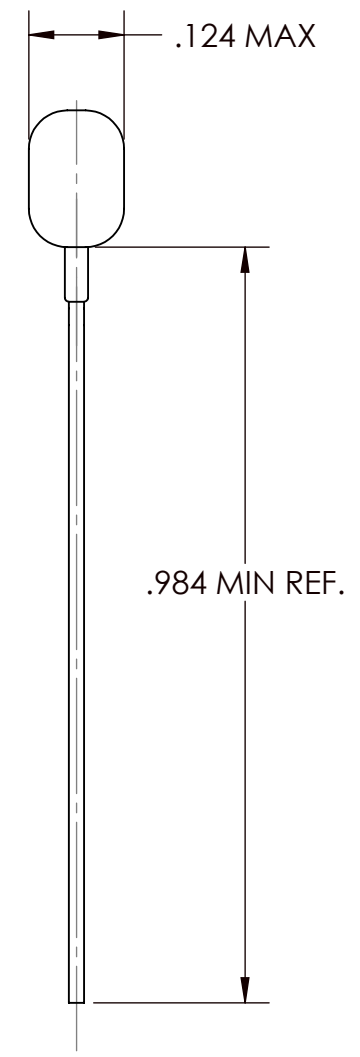
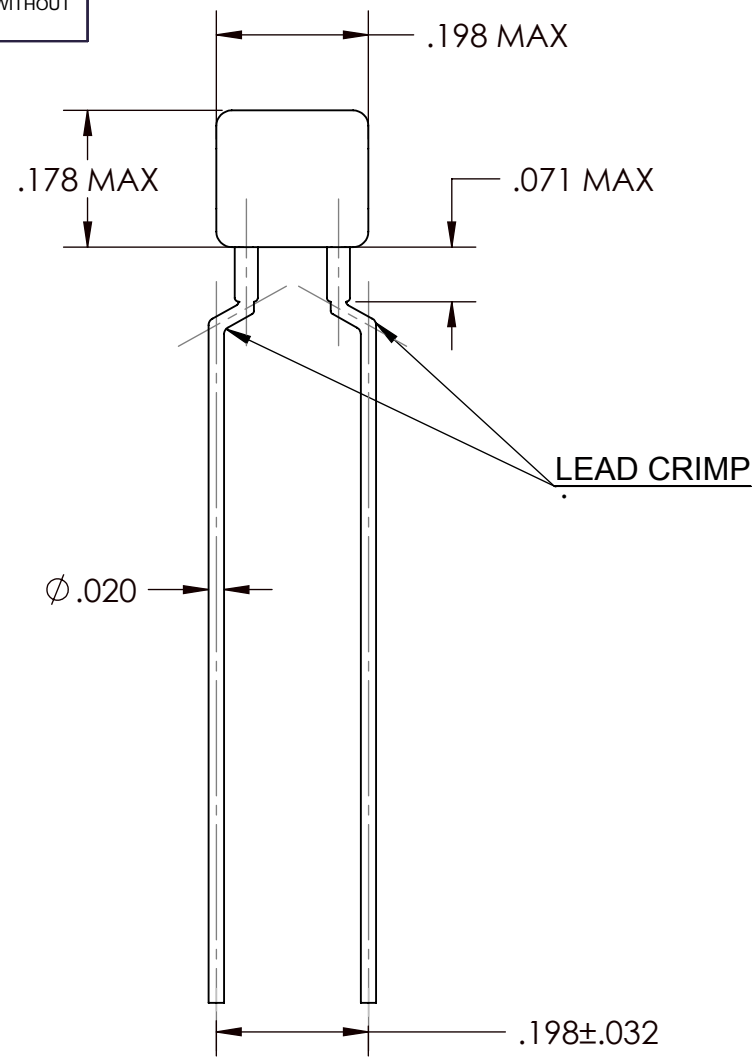
1

VICOR CONFIDENTIAL

THIS DOCUMENT AND THE DATA DISCLOSED HEREIN OR HEREWITH IS NOT TO BE REPRODUCED, USED OR DISCLOSED IN WHOLE OR IN PART TO ANYONE WITHOUT THE PERMISSION OF VICOR CORP.

REVISIONS

REV	DESCRIPTION	DATE	APPROVED
1	RELEASE PER E040289	10/25/04	FN
2	REVISED PER E064291	03/20/06	MH
3	REVISED PER E100698A	5/19/10	JG



ELECTRICAL SPECIFICATIONS

CAPACITANCE 1KHz, 1VAC	.01uF
CAPACITANCE TOLERANCE	±10%
VOLTAGE	500V
CAPACITOR TYPE	X7R
DISSIPATION FACTOR	2.5% MAX AT 1KHz, 1VAC
INSULATION RESISTANCE	10 MEGOHMS
DIELECTRIC WITHOLDING VOLTAGE	200% RATED VOLTAGE FOR 5 SEC WITH 50mA MAX CHARGING CURRENT

- NOTES:  
 1. RoHS COMPLIANT, LEAD FREE PER CST-0001 LATEST REVISION.  
 2. DIMENSIONS ARE INCHES ONLY.

DRAWN	DATE	VICOR		SWD	
D.P. KELLY	05/04	<b>CAPACITOR X7R</b> <b>0.01 uF ± 10%, 500V</b>			
UNLESS OTHERWISE SPECIFIED DIMENSIONS ARE INCH [MM] TOLERANCES ARE: DECIMALS ANGLES X.XX [X.X] = ±0.01 [0.25] ±1° X.XXX [X.XX] = ±0.005 [0.127]					
MATERIAL	FINISH	SIZE	CAGE CODE	DWG NO	REV
	THIRD ANGLE PROJECTION	<b>B</b>	<b>67131</b>	<b>28054</b>	<b>3</b>
DO NOT SCALE DRAWING		SCALE 4 : 1		SHEET 1 OF 1	

8

7

6

5

4

3

2

1