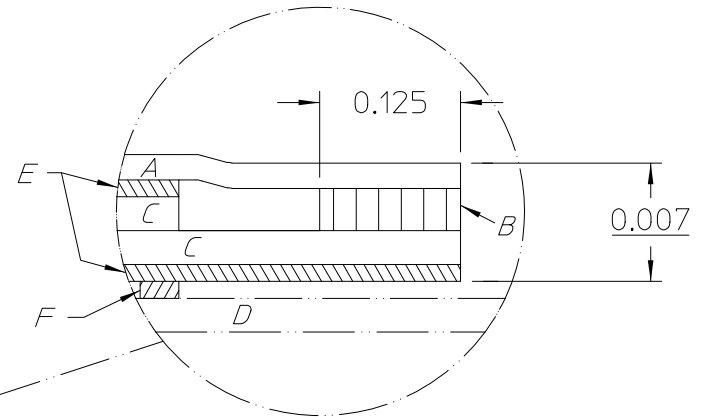
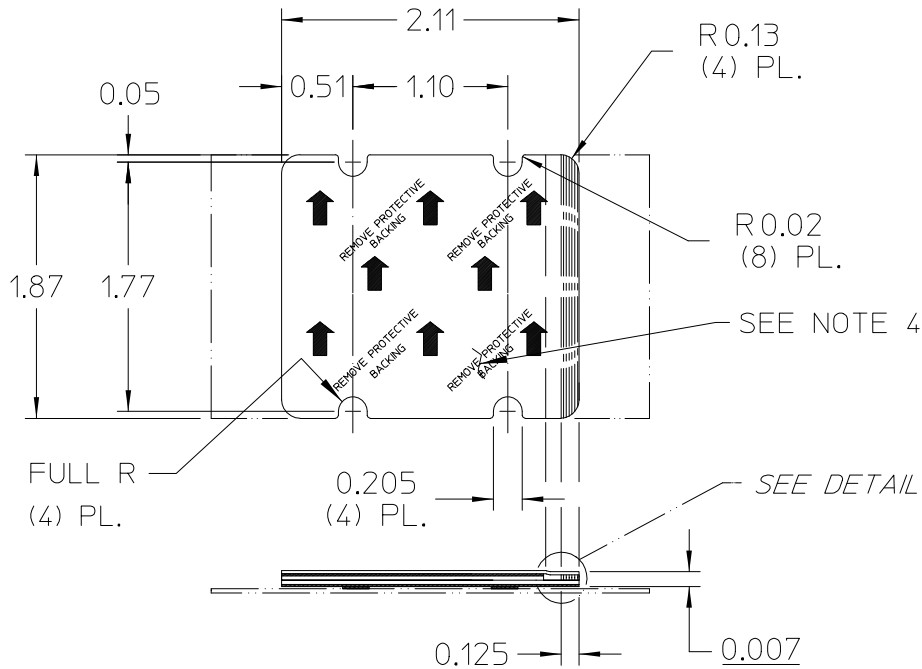


VICOR CONFIDENTIAL

THIS DOCUMENT AND THE DATA DISCLOSED HEREIN OR HERewith IS NOT TO BE REPRODUCED, USED, OR DISCLOSED IN WHOLE OR IN PART TO ANYONE WITHOUT PERMISSION OF VICOR CORP.

| REV. | DESCRIPTION | DATE | APPROVED |
|------|---------------------------------|------|----------|
| 1 | RELEASE PER ECO Request E080575 | GK | 03/20/08 |
| 2 | REVISED PER E091595a | JS | 09/10/09 |
| 3 | REVISED PER E101073a | AR | 09/01/10 |



DETAIL :

- A. RELEASE LINER.
- B. ADHESIVE STRIP; .0025 THICK .125 WIDE.
- C. ALUMINUM ALLOY 1145-0; .002 THICK.
- D. ROLL CARRIER WITH ADHESIVE STRIP BONDING.
- E. PHASE CHANGE THERMAL COMPOUND.
- F. ADHESIVE STRIPS ON ROLL CARRIER.

SECTION A-A

(VERTICAL THICKNESS IS NOT SHOWN TO SCALE)

NOTES:

1. MATERIAL: MAKE FROM HENKEL AL-2-21H-187
2. THICKNESS: .007±.001.
3. SEE DETAIL FOR ASSY ORDER.
4. FOR ARTWORK SHOWN HERE SEE DWG# 20200.
5. RoHS COMPLIANT PER CST-0001 LATEST REVISION.
6. PRIOR TO ASSEMBLY, PRODUCTS SHALL BE STORED IN A COOL, DRY LOCATION IN ORIGINAL PACKAGING AT TEMPERATURES BELOW 40°C (104°F). UNDER THESE CONDITIONS THE SHELF LIFE IS INDEFINITE. THERMMATE PADS CAN BE PRE-APPLIED TO BASEPLATES OR HEAT SINKS WHICH ARE THEN SHIPPED TO A FINAL ASSEMBLY LOCATION, AS LONG AS THE TEMPERATURE DOES NOT EXCEED THE LEVEL INDICATED ABOVE.

| | | | | | |
|---|--|------------------|---------------------------|------------------------|-----------------|
| DRAWN BY <i>R.E.J.Hickey</i> | | DATE 02/08/08 | | | |
| UNLESS OTHERWISE SPECIFIED DIMENSIONS ARE IN INCHES - TOLERANCES ARE: FRACTIONS DECIMALS ANGLES ±1/64 .XX= ±.01 ±1° .XXX=±.005 | | | | | |
| THIRD ANGLE PROJECTION | | SIZE B | CAGE CODE 67131 | DWG NO 34590 | REV 3 |
| DO NOT SCALE DRAWING | | SCALE | | SHEET 1 OF 1 | |

*THERMAL INTERFACE PAD,
ThermMate® VIBRICK, B1 SIZE*